

Official Logging Contest Rules for WDT

- A. All contestants must be at least **18** years of age, including the novice events.
- B. Only hearing impaired contestants will be permitted to enter the contest. A hearing impaired person is defined as one with a hearing loss of 55 dB or more. Hearing spouses may enter the contest only as part of Jack and Jill bucking and relays.
- C. Members of the Logging Contest committee and official referees reserve the right to check any equipment used in all contests. Anyone, fans and contestants included, may file a complaint form to have the contestants' equipment checked for conformity to rules within one hour after the conclusion of that event. If a complaint is filed, a fee must be paid (amount to be determined by Logging contest committee).
- D. The head judge will be responsible for the **drawing**. There will be no seeding of contestants.
- E. No contestant may enter the same event twice.
Contestants must choose either pro or novice.
- F. The decisions of the contest judges will be final in all matters, including the interpretation of the rules herein.
- G. Contestants will be permitted to enter the Logging Contest area (LCA) 15 minutes before their scheduled event in order to set up. Contestant must leave the la within 5 minutes following the end of the contest.
- H. The Logging Contest committee reserves the right to determine the size, length, height, or species of wood and schedule of events when necessary.
- I. No alcoholic beverages or smoking will be permitted in the Logging Contest area (LCA) except within the bullpen.

J. For pro, there must be at least four (4) contestants in any event or that event will be cancelled. If the event is cancelled, contestants will be refunded their entry fees. It is permissible for the contestants in the canceled event to participate in the same type of contest with the opposite sex at the discretion of the Logging Contest committee. All rules will apply for that contest regardless of the contestant's gender. If there are only four (4) contestants in any event, then there will be one less place for prize money.

K. Contestants are required to fill out the official entry form and answer all questions. A fee must accompany the entry form when registering with the Logging Contest committee. All contestants must sign a waiver form.

L. Logging contests are divided into two groups: single events and team events.

Single Events:

Logging (chainsaws)
event
Ax-Throwing
Choker Setting
Hand Bucking
Standing Block Chop
Pole Cutting
Speed Cut Saw
Obstacle Pole

Team Events:

Julian Singleton
Camp Taloali relay
Double Bucking
Jack and Jill Bucking

M. Starting time for all events will be announced by the Logging Contest committee. Contestant should attend a daily meeting one hour before the beginning of each day. Any contestant who fails to enter the LCA 10 minutes before the scheduled set will be disqualified, and no refund will be given. The order of all events will be announced before competitions begin.

***Announcer will explain the updated rules at the bullpen area.**

N. All contestants will be assigned identification numbers by the Logging Contest committee.

- O. Winning contestants in all events, except the Julian Singleton event and Camp Taloali relay will be awarded points in the following manner:
- 1st place - 5 points
 - 2nd place - 4 points
 - 3rd place - 3 points
 - 4th place - 2 points
 - 5th place - 1 point.
- P. For all log cutting, chain saw or bucking saw, contestants must make a straight cut not exceeding one inch beyond the center line, except for Class A, 2 inches is permitted. Contestant may want to cut beyond one inch of edge of log, but not beyond 2 inches. The Logging Contest committee will mark all logs for cutting starts. Failure to complete a cut or defaults will result in a 3 second penalty.
- Q. \$25.00 will be awarded to any man or woman contestant for a new WDT record only in chopping, bucking, and choker setting events. (in case of double, both contestants receive \$25.00 each).
- R. In all events, the time limit will be 3 minutes. Bucking saw will have a 4 minute time limit. Contestants will not be awarded any point beyond the time limit.
- S. The starter will ask the timer and then the contestant if he is ready before starting a countdown. Method of starts is defined in each event's set of rules.
- T. In all events, if there is a tie, there will be a rematch between the two contestants to determine 1st to 4th place winners.
- U. In the ax throwing contest, if there is a tie, there will be a rematch between the contestants to determine the 10 semi-finalists and the 1st to 4th place winners in 5 finalists. There will be only one(1) throw permitted.

- V. Any contestant who displays improper or unsportsmanlike behavior, argues with judges or members of Logging Contest committee or shows any sign of being under the influence of alcohol or drugs in the LCA, will be disqualified in that event, and no refund will be given.
- W. Any abusive verbal or physical contact with anyone in the LCA by any contestant will result in that contestant's removal from all further contests. No refund will be given and all points won in previous contests by the contestant will be eliminated. The contestant will not be eligible for cash prizes and/or awards. Judgment will be conducted by a meeting of the Logging Contest Coordinator, head judge, AD IV, and a representative of the WDT Executive committee.
- X. The World Deaf Timberfest, Inc. reserves the right to cancel, delete, or add any logging events.
- Y. All contestants must wear long pants, shirt, and closed toe shoes. No "half" shirts (above the navel) are permitted.
1. No thongs or sandals
 2. No swimsuits
 3. No sweatpants
 4. No shorts
 5. No alcoholic drinks or smoking
- Z. There will be at least 10 judges. At least half of the judges must be deaf. The head judge must be deaf.
- AA. Set up committee will make sure logging events are secure and safe before events begin. Set up committee members will not participate in events if they have set up the event.
- BB. All events will have a 2.5 to 1 prize ratio.
- CC. We are not responsible for any lost articles in the LCA. This notice will be posted in and around the LCA.

WDT LOGGING EVENTS

(since 1982)

LOG CUTTING Pro (men and women)

Chainsaw - different categories according to size of chainsaw

- A Class 5.0 cu. and up
- B Class 4.0 cu. to 4.9 cu.
- C Class 3.0 cu. to 3.9 cu.
- D Class 2.0 cu. to 2.9 cu.

- a. Saws will be limited to one cylinder and will be of the contestant's choice.
- b. Chain sizes will be of contestant's choice.
- c. The log cut will be 16 inches and above in diameter and be cut from one side. The log will be elevated 12 to 18 inches from the ground. Cutting positions shall be marked by the Logging Contest committee and contestant must not cut within 1 inch (plus or minus) of assigned mark from top to bottom.
- d. Saw may be started, warmed-up and minor adjustment made within 3 minutes of the start of the Log Cutting contest.
- e. Contest starts with saw running and resting on the log. Time will start with first cut and end when sawed piece of slab is severed. Saw out cuts will be disqualified.
- f. Saw must be shut off immediately after cutting.
- g. Saw may not be used to pry cut.
- h. Any slab with an uncut end in excess of 1/2 inch will receive a 5 second penalty.

SPEED SAW CUT Pro (men and women)

Contestant will make a down cut, then an up cut.

- a. Saw will be of B Class, which includes one cycle.
- b. Chain and bar will be of contestant's own choosing, but shall not exceed a maximum of 30 inches cutting length.
- c. The log will be 20 inches maximum in diameter and elevated 12 to 18 inches from the ground.

- d. A 3 inch cutting area will be provided for each contestant. Positions for the total cutting area will be made by the Logging Contest committee.
- e. Contestant will make one down cut and one up cut.
- f. Time starts when starter gives signal and ends when the second slab is severed.
- g. Contest will start with the saw running and resting on top of the log.

SINGLE BUCKING (men and women)

Contestant will cut a 16 inches log with a single buck saw provided by WDT. (women-12 inches) (alder log)

- a. The log will be 16 inches in diameter. The log will be on a cradle and will be elevated between 6 to 12 inches from the ground.
- b. Positions for starting cuts will be marked by the Logging Contest committee and contestants must cut within 1 inch (plus or minus) of the mark. Starting cuts will be permitted, but will not exceed 1 inch from the top. The starting cut may be set by contestant or his second.
- c. Contest starts when the starter taps the top of the bucking saw and ends when the cut slab is severed.
- d. Each contestant will be allowed a second person or his manager to oil his saw and put in wedges. The second person must not touch the saw and can only drive the wedge as necessary. The wedge must not be worked back and forth.
- e. Saw must not be used to pry cut or break off slab. Any chip or slab with an uncut end in excess of 1/2 inch will cause the contestant to receive a penalty of 3 seconds.
- f. Bucking saws will be provided by the Logging Contest committee.
- g. Logging contest committee may pre-cut larger than 16 inch logs to correct dimension.

DOUBLE BUCKING Pro and Novice (men and women)

Teams of 2 men or 2 women men will cut 20 inches log with bucking saw provided by WDT. (women-16 inches)

The rules are the same as Single Bucking except:

- a. Two males or two females will compete as a team with only one second person or manager per team.
- b. The log will be elevated 18 inches to 24 inches from the ground.
- c. One starting cut will be allowed for each team. The starting cut will not be more than 1 3/4 inches at the deepest point of the cut.
- d. A contestant cannot be on more than one team.
- e. Contest starts when starter taps the top of the bucking saw and ends when the slab is severed.
- f. Logging Contest committee may pre-cut larger than 16 inch logs to the correct dimension.

JACK AND JILL BUCKING Pro and Novice

(men/women team)

A team will cut a 16 inch log with bucking saw provided by WDT.

The rules are the same for single bucking except:

- a. A 12 inch log will be used with one man and one woman competing as a team.
- b. The starting cut will be 1 3/4 inches from the top of the log. The log will be elevated 18 to 24 inches from the ground. There will be one second person or manager per team.
- c. A contestant cannot be on more than one team.

OBSTACLE POLE Pro (men and women)

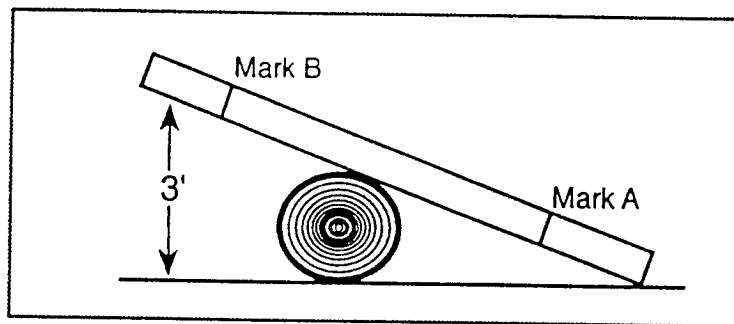
Contestant will run up a 25 ft. pole with 10-12 inch diameter at base that is leaning over a log, start chainsaw and then cut off 2 inches of the log at the end of pole.

This event tests the speed and ability of the contestant.

- a. A long pole with the top 5 inches in diameter is used. The center of the pole hangs over a log so that the top of the log at the end is 3 feet from the ground.

- b. The contestant starts with one hand touching the top of the obstacle pole. He then picks up his saw, races up the pole, starts the saw and cuts off a 2 inch slice. He then shuts off his saw and returns to touch the top of the obstacle pole.
- c. The running pole has 2 marks that the contestant must know about; the first mark (A) is 3 feet from the end that touches the ground. Contestant will not jump beyond this mark. The second mark is 3 feet from the tip of the log. Contestant will not start engine before this line.

See drawing below:



- d. Time starts at signal given by the starter and ends when contestant touches top of obstacle pole.
- e. Size of chainsaw to be used will be announced by the Logging Contest committee.

OBSTACLE POLE (flag) Novice (men and women)

Same as pro obstacle pole bucking except that contestant will pick up flag at end of pole instead of using a chainsaw.

POLE CUTTING Pro (men and women)

Contestant will cut 5 standing lathe poles while carrying gas can, wedge, axe and chainsaw.

- a. There will be 4 lathe trees with a minimum of 6 inches diameter and measuring 6 feet from ground to top. The poles will be evenly spaced 8 feet apart and be imbedded in the ground.

- b. Each contestant will have the following tools: wedge, gas can, axe, and chainsaw. She/he carries the first three items in either his left or right hand and the chainsaw in the other hand. The size of the chainsaw is class "C" or "D." **He/she must wear safety glasses.**
- c. Contestant will stand at a starting line 15 ft. from first pole and at signal must run to first pole, start chainsaw and cut 1 inch off top of the pole, shut chainsaw off, pick up all tools and move to second pole to repeat the action and so on to the last pole. Failure to shut off chainsaw will result in 2 second penalty. He then runs back to starting line. Time stops when he crosses finish line.
- d. A contestant failing to cross finish line with all tools will be given a 5 second penalty for the event.
- e. A second penalty will be given if cut is more than 2 inches.

STANDING BLOCK CHOP Pro (men only)

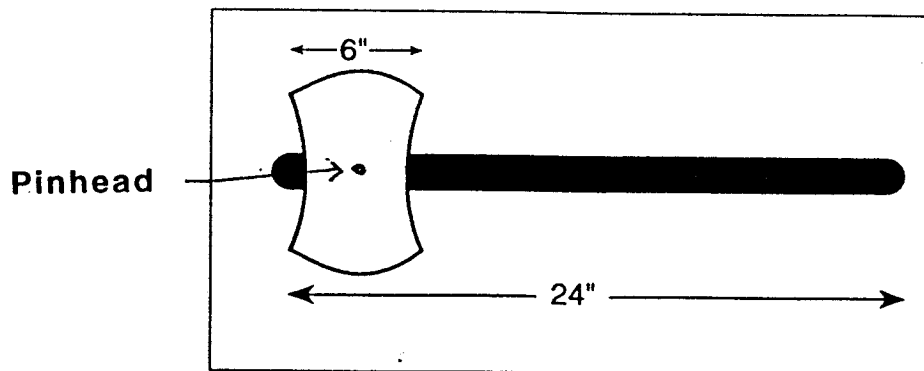
Contestant will chop a 30 inch circumference (around) turned log on a chopping stand.

- a. Two or more contestants may chop at a single time, and there will be timers for each chopper.
- b. A 30 inch circumference (around) turned log will be used, fastened to a 26 inch high chopping stand.
- c. Time starts when axe hits wood and ends when cut block is severed.
- d. Contestants will be allowed to inspect and mark the log with marking pencil. They may be allowed to spike or stake their logs with nails beyond cutting area to prevent the log from splitting.
- e. Any splitting or forcing by contestant of the log by contestant will disqualify the contestant and no points will be given.

AXE THROWING Pro and Novice (men and women)

Men will throw axes from 20 feet at a 3 foot diameter target with 4 inch bull's eye; axes provided by WDT. Women will throw axe from 16 ft. If a woman enters for the world trophy, she must throw from 20 ft.

- a. The target will be 3 feet in diameter with a 4 inch bull's eye. The bull's eye will be approximately 60 inches from the ground. The rings shall be 4 inches wide.
- b. **Scoring:**
 Bull's eye: 5 points; next outside area: 4 points; the next outer ring: 3 points; next: 2 points; next: 1 point; Splitting beer can: 6 points.
- c. Axe needs only to cut outer edge of line of scoring area to win points of that area. If both blades stick, no score will be given.
- d. Axe must stick and remain in the target for the judge to verify the score by walking to the target.
- e. Each contestant may make one warm-up throw and then three throws to count.
- f. **Note:** All handles must point downward unless contestant declares before throw that the handle will point upward.
- g. Contestant must stand 20 feet from the base of target. The axe must be double-bitted, of at least 2 1/2 pounds and with at least 24 inches overall length. **Pinhead must drilled in the axe.** The face of the blade shall not exceed 6 inches as measured in following drawing:

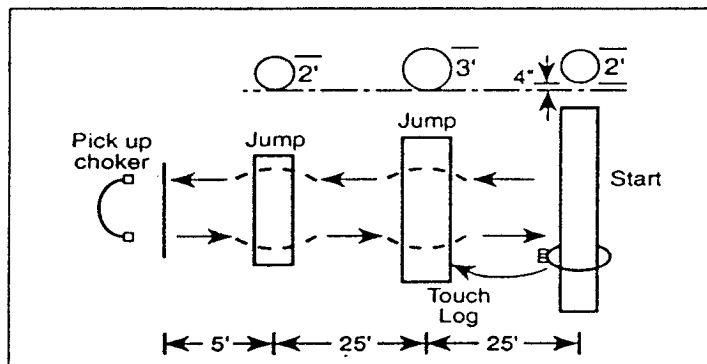


- h. Contestant must remove his axe from the target after each throw.
- i. This event shall have an elimination for the top 10 semi finalists and then top 5 finalists.
- j. Men and women contestants will compete against their own sexes. The rules for both sexes shall be the same.
- k. Axes will be provided by the Logging Contest Committee as needed.

CHOKER SETTING Pro and Novice (men and women)

From a starting point, contestant will jump two large logs, pick up choker chain, return to starting log, place choker and return the middle log. Women's choker - 1/2 inch, Men's choker - 5/8 inch provided by WDT.

See drawing below:

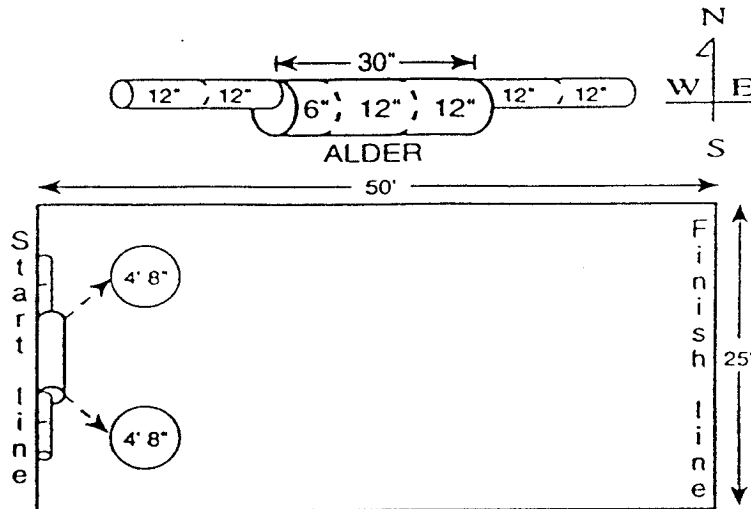


- Two logs and a starting line are used 25 feet between the logs. The choker is placed on the line 5 ft. from the last log according to the contestants preference. It will lay on the ground. The cable shall be 10 feet long.
- The spar pole is the setting pole and will be 24 inches in diameter. It shall be raised 4 inches off the ground. The event starts with the contestant standing on the setting pole. At a signal, contestant jumps down, climbs over second pole, runs to line to pick up choker, jumps over the log and set the choker on setting log. He then runs to the middle log and touches the end of the log.
- Judges will verify that choker is properly set. If not, no time is awarded.
- Men shall use 5/8 inch choker and women shall use the 1/2" choker, both of which will be provided by Logging Contest committee.
- Contestants are advised to use hard hats and gloves for this event.

JULIAN SINGLETON EVENT

(Team of 2 men and 2 women) This is our most exciting event!

First member cuts off 2 pieces of log, second member chops the logs in 8 pieces and the 2 members stack the logs in wheelbarrows and return to starting point.



- a. Two men and two women will make a team competing against another team. No one may be a member of more than one team.
- b. All members of the team will stand at starting line except the logger with the chainsaw, who stands next to the log to be cut which is about 50 feet from starting line. The saw will be on the ground with the engine running and the logger has his hands on top of the log. At a signal, the logger cuts off 2 pieces of log 12 inches long and 12 inches in diameter, runs to the starting line, (leaving saw on ground) and physically tag the second man. Judges or Logging Contest committee will shut off saws and remove from contest area. The second member splits the log in 4 pieces per log (8 pieces total) with an axe, then runs to starting line to tag one of two members. One member will push the wheelbarrow and both load the split logs on the wheelbarrow. When loaded, they must push the load to finish line. Time ends when last person on the team crosses the finish line.

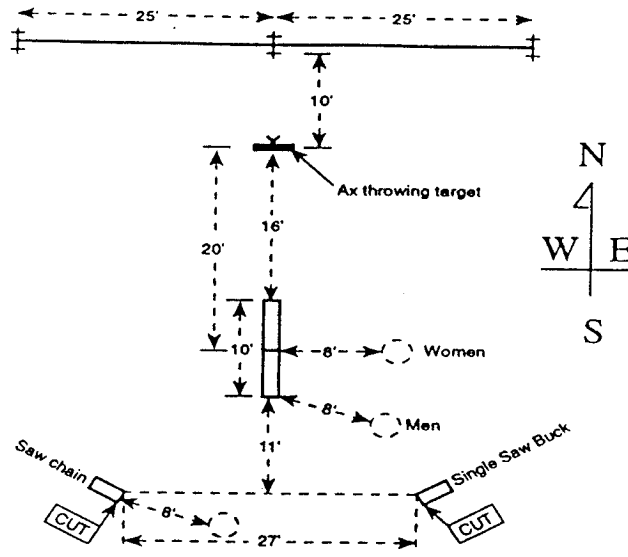
- c. All pieces of the split log must be loaded on the wheelbarrow. Missing log pieces will be given a penalty of 3 seconds each..
- d. The size of the chainsaw will be determined by the Logging Contest committee.
- e. Two teams may compete at the same time and timers for each team will be provided.
- f. Winner is the team with the shortest time.
- g. This event is usually the final event of the official logging contest.

CAMP TALOALI RELAY

This consists of a team of 5 players (4 events in 1): tagger; single bucking - 16 inch log; chainsaw cutting (16 inch log) - class "C" chainsaw; axe throwing (15 points total); and choker setting (men - 5/8 inch & women 1/2 inch).

- a. This is a mixed relay contest where both men and women may compete on the same team. There will be a contestant for each event and a fifth person who will be the tagger and bucking saw manager. The tagger must be a woman. Each contestant will stand at the ready at their positions.
- b. At the signal of the starter, the single bucking contestant will cut a 16 inch log. **Allow add 4" depth precut.** The tagger/manager will assist with "greasing" the wedge handling. When the cut slab is severed, the tagger runs to and tags the chainsaw cutting contestant. The tagger/manager shall stand in the circle marked by the Logging Contest committee. When the slab is severed, the tagger/manager runs and tags the axe throwing contestant who will score 15 points. Contestant must retrieve his axe after each throw. The tagger/manager stands at the ready in the circle and when the contestant scores 15 points, she runs and tags the log of the choker setting contestant. Contest ends when choker setting contestant **touches the second log.**
- c. Time starts when single bucking contestant cuts log and ends when choker setting contestant taps log.

- d. Rules for each event in this relay are the same as the official rules for each respective event.
- e. The team with the lowest time will be declared the winner.
- f. The tagger/manager must physically touch each contestant (except choker setting contestant) before the event can begin.



Note: A complete description of all logging events and rules is available upon request. Each contestant who registers will receive the rules and must abide by these rules. All events must have at least 4 competitors or the event will be canceled.